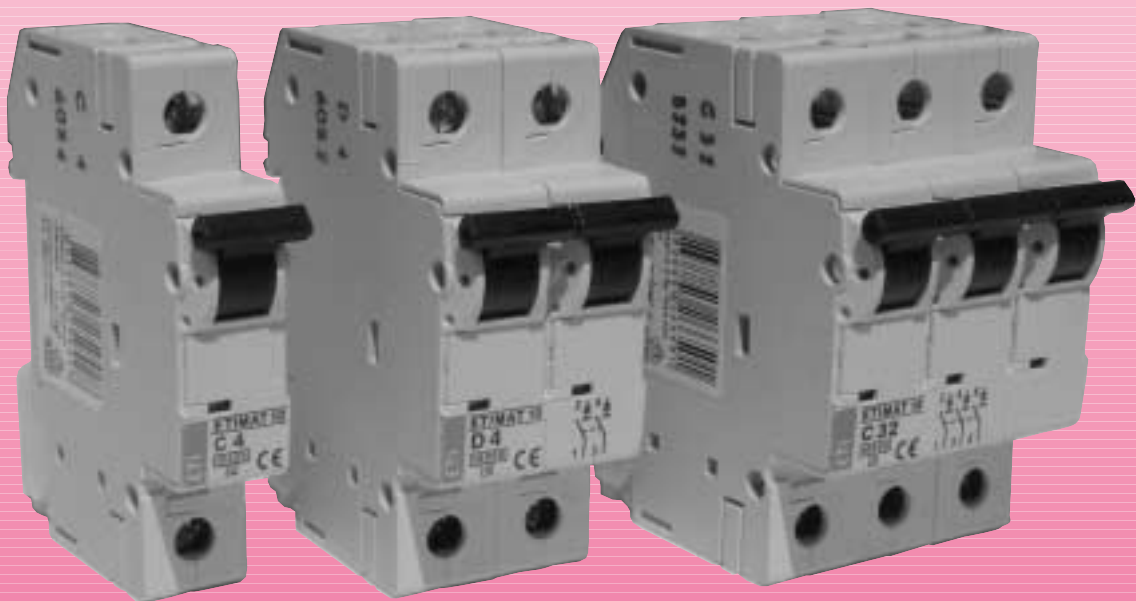


# NORTONICS

## MINIATURE CIRCUIT BREAKERS RCBO's & DIN RAIL MOUNTED FUSE HOLDERS



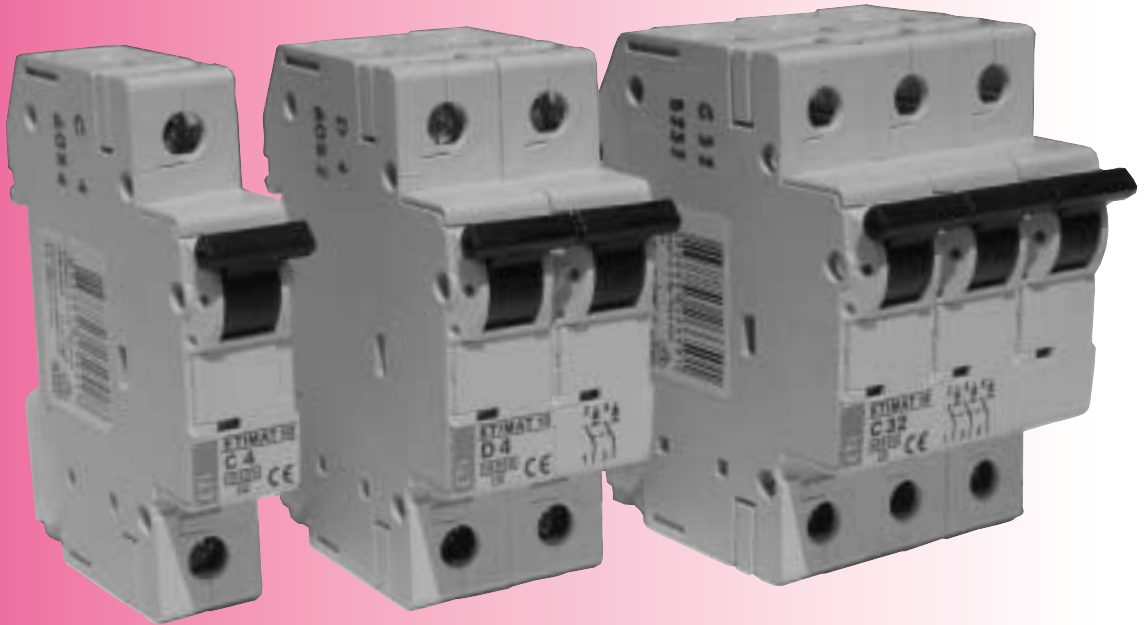
MANUFACTURED IN THE EU  
EUROPEAN QUALITY



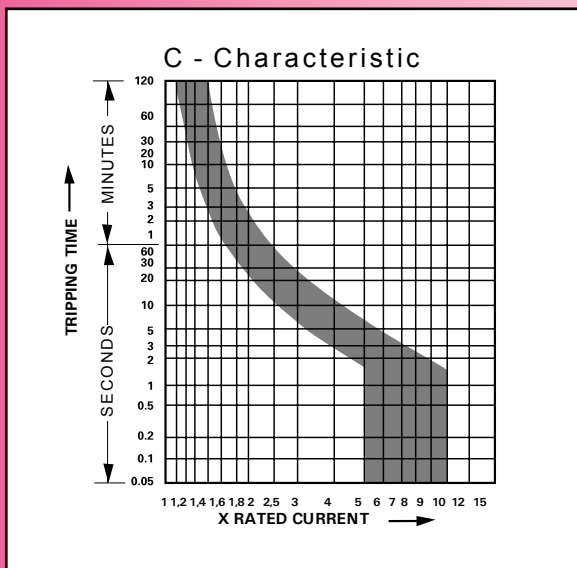
1, 2 & 3 POLE MCB's  
TRIPPING CURVES C & D  
CURRENT RATINGS 1AMP TO 63AMPS  
10KA BREAKING CAPACITY  
ADD ON AUXILIARY CONTACTS  
2 POLE RCBO's COMBINED MCB / RCD  
1, 2 & 3 POLE DINE RAIL MOUNTED FUSE HOLDERS  
PIN TYPE & FORK TYPE BUSBAR AVAILABLE 1 PHASE & 3 PHASE

Tel: 01276 32777 Fax: 01276 319777

# ETIMAT 10KA



## Characteristic C



## MINIATURE CIRCUIT BREAKERS, MCB'S

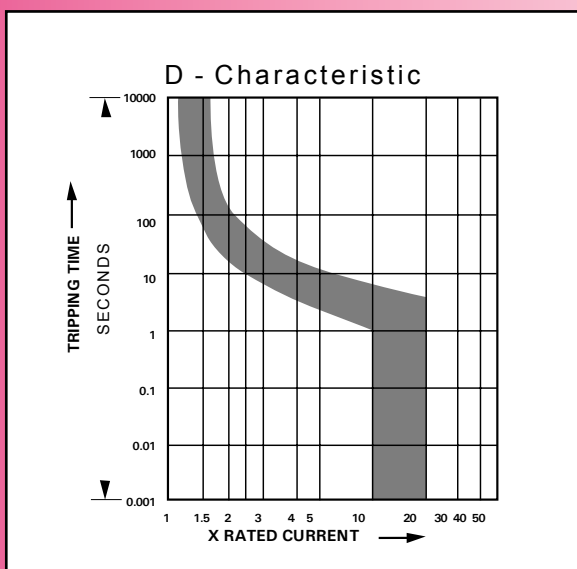
ETIMAT 10 MCB's are produced according to the latest international standards EN60898 IEC60898 and IEC60947-2. These MCB's are for protection and control of circuits against overloads and short circuits in commercial and industrial applications

Characteristic C is recommended for industrial applications where higher starting effects are expected e.g. transformers, motors and lighting installations.

Thermal release at 1.13 to 1.45 x I<sub>n</sub>.

Magnetic breaking release at 5 to 10 x I<sub>n</sub>.

## Characteristic D



Characteristic D is recommended for heavy industrial applications where very high starting effects are expected, e.g. motors starting under load.

Thermal release 1.13 to 1.45 x I<sub>n</sub>.

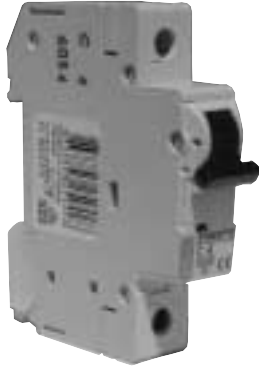
Magnetic breaking release 10 to 20 I<sub>n</sub>.

## Specifications

<b>Voltage U<sub>e</sub>:</b>	230/400V 60V DC per pole
<b>Frequency:</b>	50/60Hz
<b>Poles:</b>	1, 2 and 3 poles
<b>Breaking capacity:</b>	10KA
<b>Electrical Life:</b>	>20 000 operations
<b>Mechanical Life:</b>	>1 000 000 operations
<b>Terminal Sizes:</b>	All 25mm <sup>2</sup>

# ETIMAT 10 MINIATURE CIRCUIT BREAKERS, MCB's Ordering Information

## SINGLE-POLE MCB's



Order Code	Current Rating	Breaking Capacity
------------	----------------	-------------------

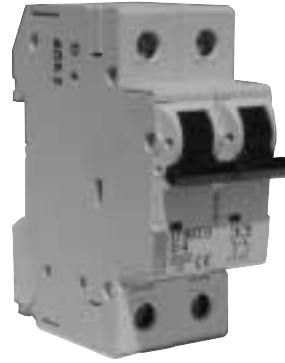
### C - CHARACTERISTIC

TSC-101	1	10kA
TSC-102	2	10kA
TSC-104	4	10kA
TSC-106	6	10kA
TSC-110	10	10kA
TSC-116	16	10kA
TSC-120	20	10kA
TSC-125	25	10kA
TSC-132	32	10kA
TSC-140	40	10kA
TSC-150	50	10kA
TSC-163	63	10kA

### D - CHARACTERISTIC

TSD-101	1	10kA
TSD-102	2	10kA
TSD-104	4	10kA
TSD-106	6	10kA
TSD-110	10	10kA
TSD-116	16	10kA
TSD-120	20	10kA
TSD-125	25	10kA
TSD-132	32	10kA
TSD-140	40	10kA

## TWO-POLE MCB's



Order Code	Current Rating	Breaking Capacity
------------	----------------	-------------------

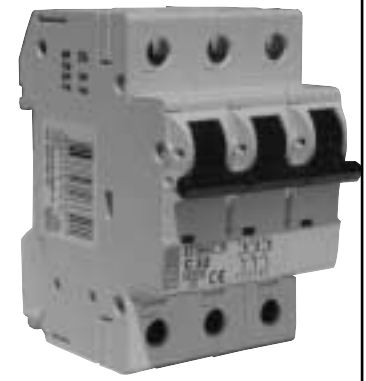
### C - CHARACTERISTIC

TSC-201	1	10kA
TSC-202	2	10kA
TSC-204	4	10kA
TSC-206	6	10kA
TSC-210	10	10kA
TSC-216	16	10kA
TSC-220	20	10kA
TSC-225	25	10kA
TSC-232	32	10kA
TSC-240	40	10kA
TSC-250	50	10kA
TSC-263	63	10kA

### D - CHARACTERISTIC

TSD-201	1	10kA
TSD-202	2	10kA
TSD-204	4	10kA
TSD-206	6	10kA
TSD-210	10	10kA
TSD-216	16	10kA
TSD-220	20	10kA
TSD-225	25	10kA
TSD-232	32	10kA
TSD-240	40	10kA

## THREE-POLE MCB's



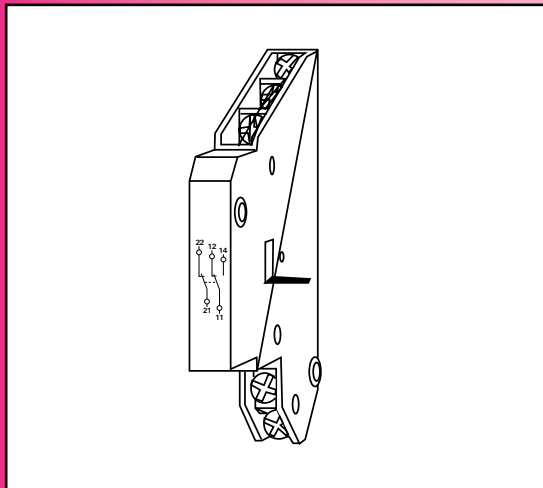
Order Code	Current Rating	Breaking Capacity
------------	----------------	-------------------

### C - CHARACTERISTIC

TSC-301	1	10kA
TSC-302	2	10kA
TSC-304	4	10kA
TSC-306	6	10kA
TSC-310	10	10kA
TSC-316	16	10kA
TSC-320	20	10kA
TSC-325	25	10kA
TSC-332	32	10kA
TSC-340	40	10kA
TSC-350	50	10kA
TSC-363	63	10kA

### D - CHARACTERISTIC

TSD-301	1	10kA
TSD-302	2	10kA
TSD-304	4	10kA
TSD-306	6	10kA
TSD-310	10	10kA
TSD-316	16	10kA
TSD-320	20	10kA
TSD-325	25	10kA
TSD-332	32	10kA
TSD-340	40	10kA



## ADD ON AUXILIARY CONTACT BLOCK FOR MCB's

PS ETIMAT is an auxiliary switch used for remote signalling of the MCB to which it is fixed.

### Specifications

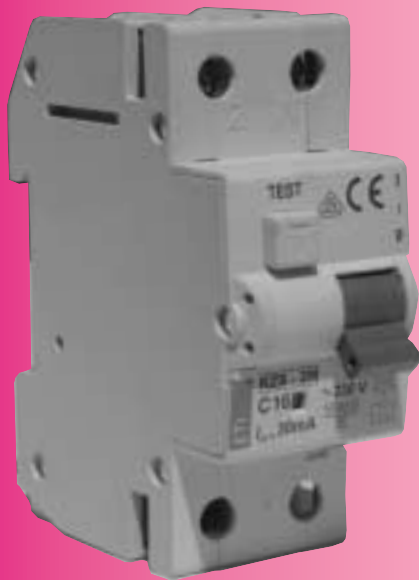
<b>Contacts:</b>	Max. 6 Amps at 230V AC or 1 Amp at 110V DC
<b>Contacts:</b>	1NO & 1NC
<b>Width:</b>	1/2 module (9mm)

Also available are Shunt Trip Release Modules and Undervoltage Release Modules.

Please consult the sales office for further information.

## Ordering Information

**TYPE** PS ETIMAT 10



## RCBO's COMBINED MCB/RCD TWO POLE

Providing the combined advantage of protection against earth leakage faults with short-circuit protection.

### Specifications

<b>Max voltage:</b>	230V
<b>Breaking capacity:</b>	10KA
<b>Tripping curve:</b>	C
<b>Sensitivity:</b>	30mAmps.
<b>Ambient temperature:</b>	-25 to +40°C
<b>Width:</b>	36mm
<b>Standard:</b>	EN61009

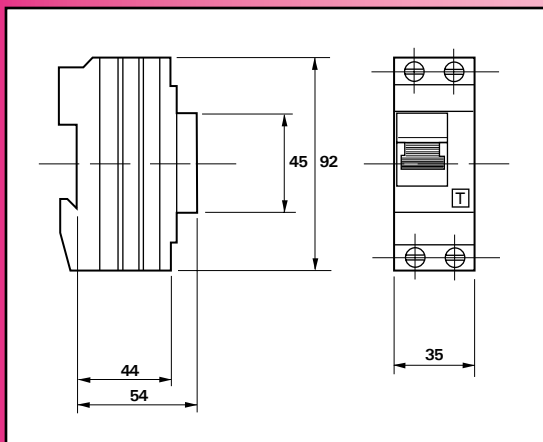
### Ordering Information

Type	Rated Current Amps	Characteristics
KZS 2M 6C	6	C
KZS 2M 10C	10	C
KZS 2M 16C	16	C
KZS 2M 20C	20	C
KZS 2M 25C	25	C
KZS 2M 32C	32	C
KZS 2M 40C	40	C

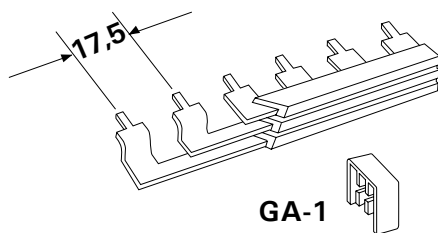
KZS 2M... replaces old P/No. TCU...

2 pole & 4 pole RCD's also available, current ratings from 16Amps to 100Amps and sensitivity 30mA to 500mA, please consult the sales office for further information.

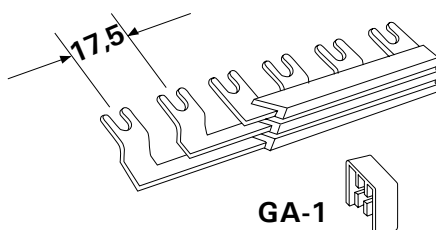
### Dimensions



**Pin Type** 1, 2 3 phase solid copper conductors with pin attachments for connection of NORM modular components e.g. MCB's and RCD's.



**Fork Type** 1, 2 3 phase solid copper conductors with fork attachments for connection of NORM modular components e.g. MCB's and RCD's.



## CONNECTING BUSBAR

Type	Length mm	Modules	Area mm <sup>2</sup>
<b>SINGLE PHASE PIN TYPE</b>			
S1L 1000/16	1000	56	16
<b>THREE PHASE PIN TYPE</b>			
S3L 1000/16	1000	56	16
<b>SINGLE PHASE FORK TYPE</b>			
G1L 1000/16	1000	56	16
<b>THREE PHASE FORK TYPE</b>			
G3L 1000/16	1000	56	16

**Maximum permanent current on above busbars 80Amps**

### END PROTECTOR FOR THREE-PHASE BAR

GA-1 End protector

## DIN RAIL MOUNTED FUSE HOLDERS

VLC10 (10x38mm) max 32Amp  
VLC14 (14x51mm) max 50Amp  
VLC22 (22x58mm) max 100Amp

### 1,2 & 3 Pole

**Type: VLC10** for fuse links 10x38mm, max operational current 32 Amps @ 690VAC  
Rated making & breaking capacity: 75 Amps

**Type: VLC14** for fuse links 14x51mm, max operational current 50 Amps @ 690VAC  
Rated making & breaking capacity: 150 Amps

**Type: VLC22** for fuse links 22x58mm, max operational current 100 Amps @ 690VAC  
Rated making & breaking capacity: 150 Amps

### Standards

IEC 60947-1  
IEC 60947-3

### Advantages

- Materials resistant to high temperatures
- Silvered contact parts
- Low own heating
- Fixing to standard din rail of 35mm (EN50022)
- 25mm terminals VLC10
- 35mm terminals VLC14
- 50mm terminals VLC22
- VLC10 & VLC14 UL, CSA approved
- CE marked
- Possibility of sealing in switched ON condition

### Ordering Information

Type	Description	Width x Height
VLC10 1P	1 pole	17.5 x 81mm
VLC10 2P	2 pole	35 x 81mm
VLC10 3P	3 pole	52.5 x 81mm
VLC14 1P	1 pole	27 x 94mm
VLC14 2P	2 pole	54 x 94mm
VLC14 3P	3 pole	81 x 94mm
VLC22 1P	1 pole	35.5 x 120mm
VLC22 2P	2 pole	71 x 120mm
VLC22 3P	3 pole	107 x 120mm

# NORTONICS LIMITED

The Old Bakery, 265 Yorktown Road, Sandhurst, Berkshire GU47 9BN

Telephone: 01276 32777 Fax: 01276 31977

Website: [www.nortonics.co.uk](http://www.nortonics.co.uk) E-mail: [sales@nortonics.co.uk](mailto:sales@nortonics.co.uk)